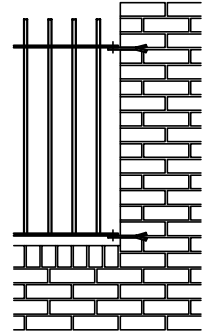
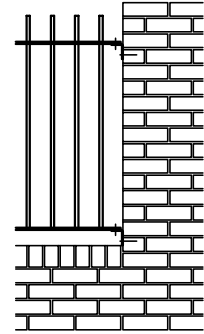


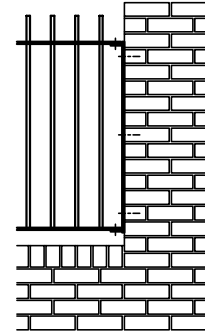
FISHTAIL LUGS



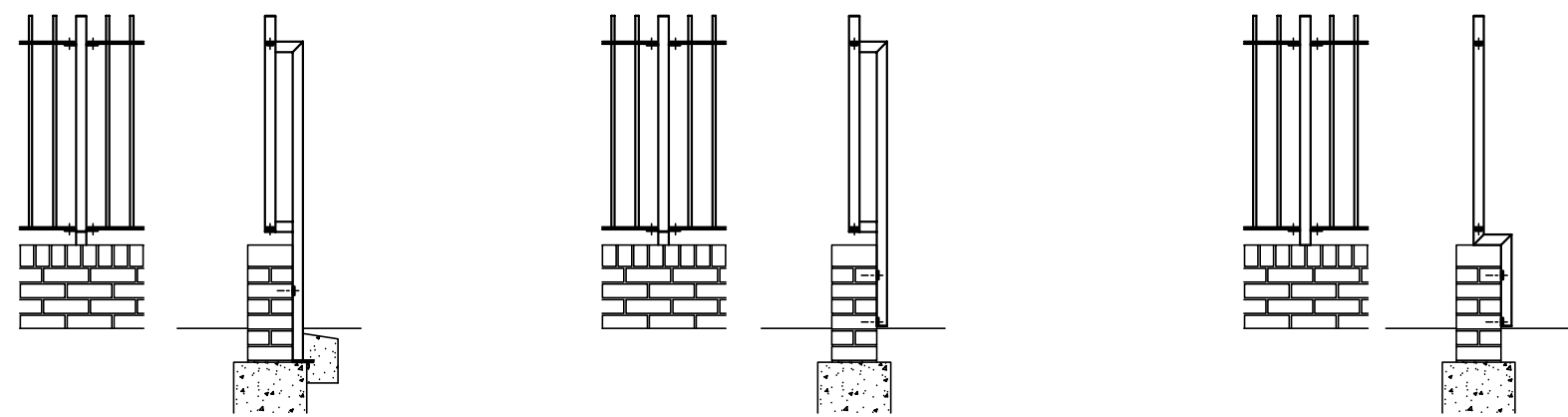
ANGLE CLEATS



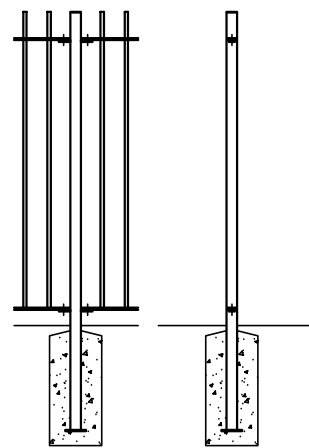
WALL STRAP



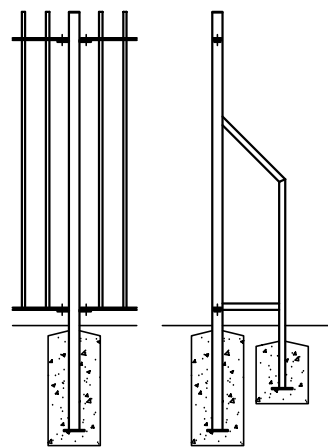
VARIOUS OVERSAIL POSTS



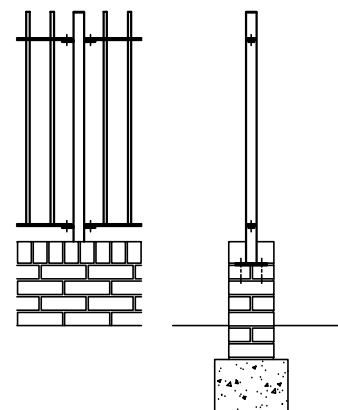
ROOTED



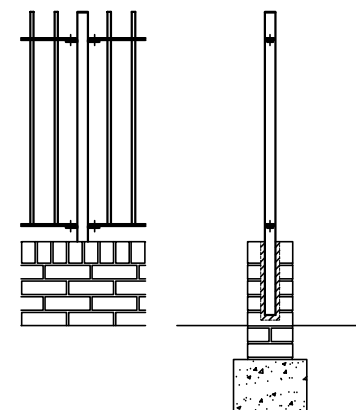
ROOTED WITH BACKSTAY



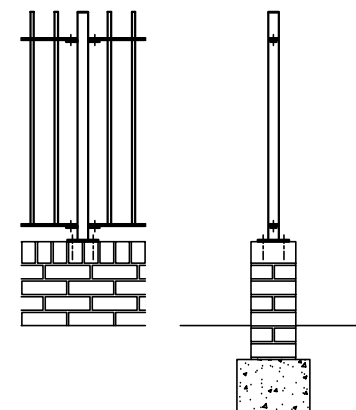
BASEPLATED BELOW COPE



GROUTED INTO CORE DRILLED HOLE



BASEPLATED TO TOP OF WALL



BASEPLATED TO TOP OF WALL WITH BACKSTAY

