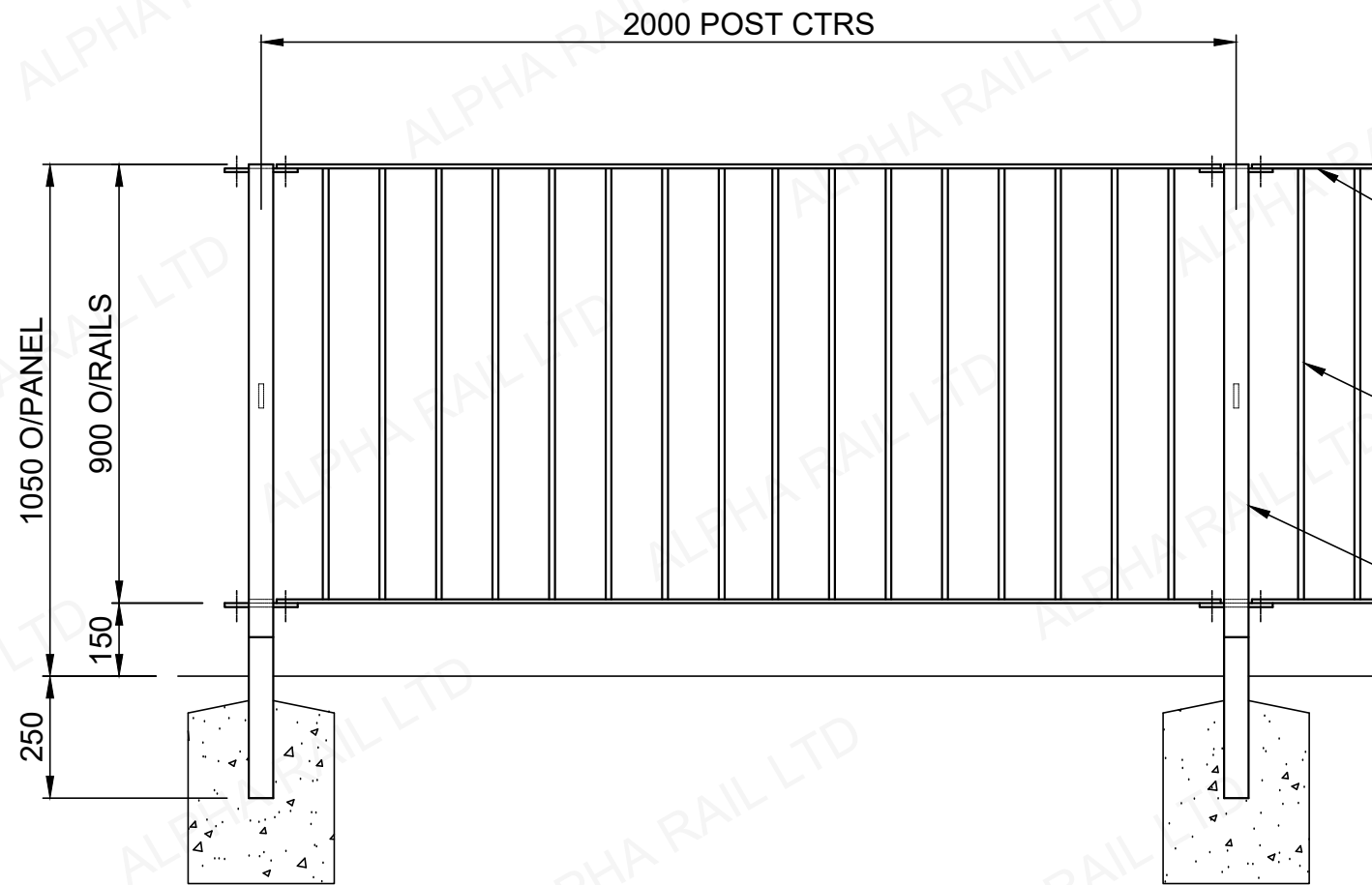
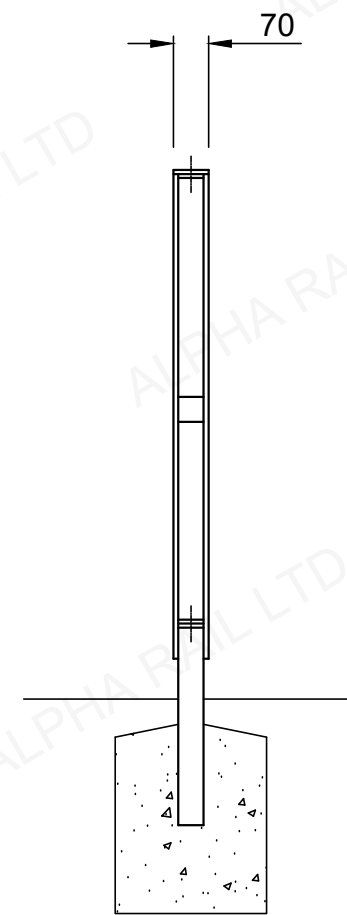


TYPICAL ELEVATION



POST SECTION

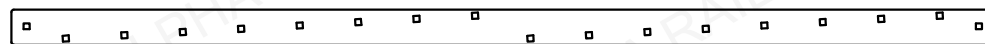


HORIZONTAL RAILS:
70x8mm RSF

VERTICAL INFILLS:
12x12mm SQ. BAR

SUPPORT POSTS:
FABRICATED FROM
50x50x3mm SHS AND
50x10mm RSF

V2 INFILL STAGGER



V2 STAGGER
OPTIMUM SIGHT ANGLE 2.5° TO 5°
FOR USE ON STRAIGHT ROADS
MODERATE TO HIGH SPEEDS

DRAWING.	V2/001
TITLE.	V2 OPTIRAIL



ALPHA RAIL
RAILINGS . GATES . GUARDRAIL