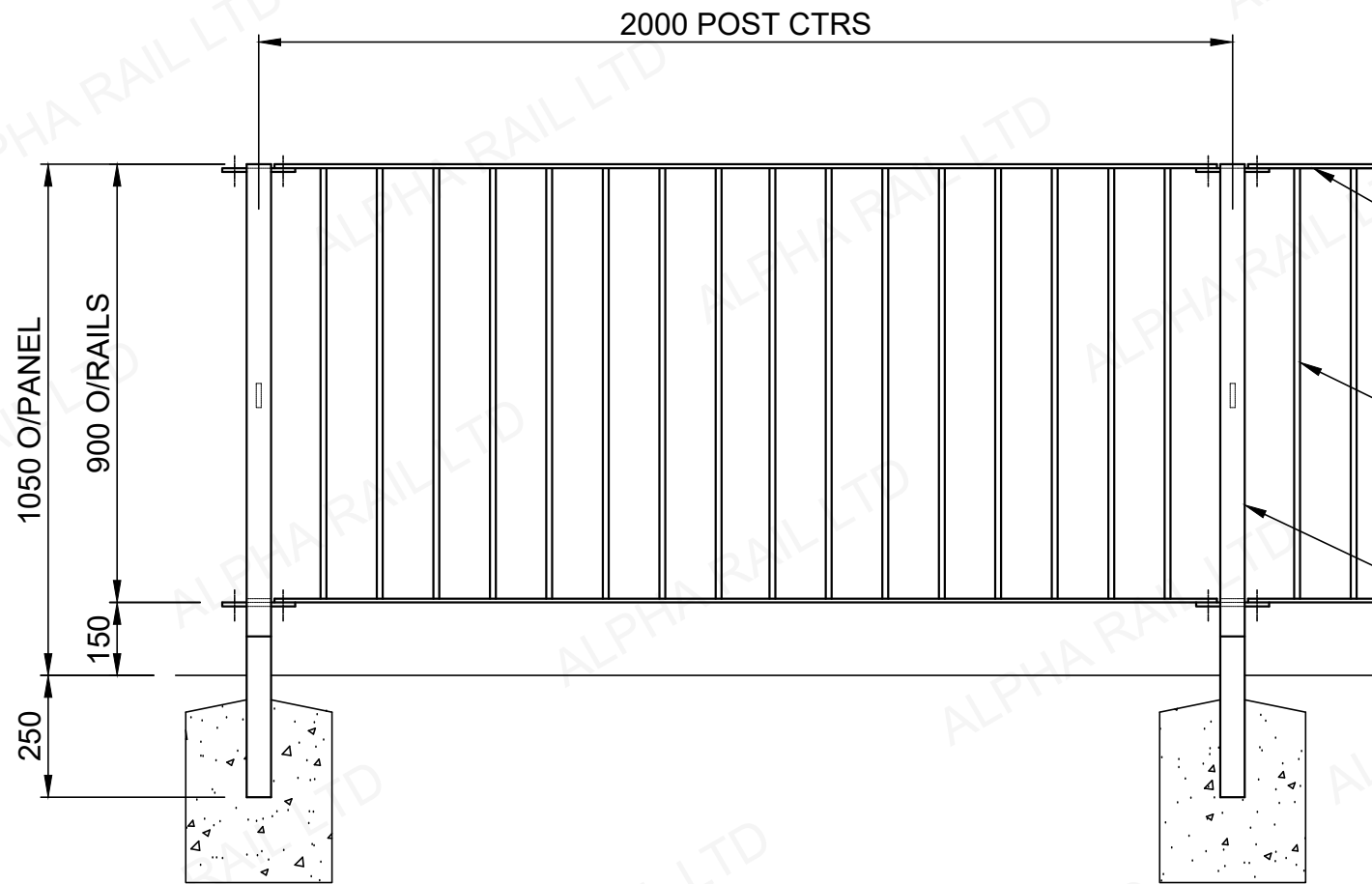
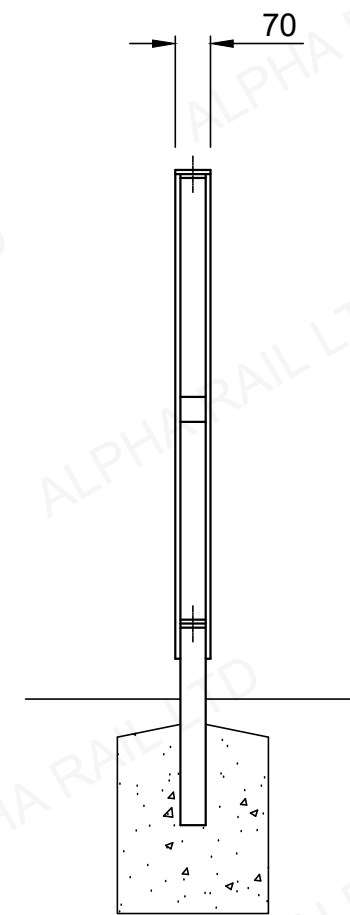


**TYPICAL ELEVATION**

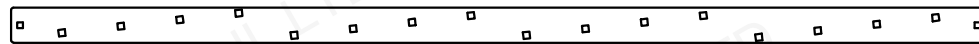


**POST SECTION**



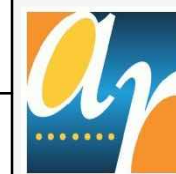
- HORIZONTAL RAILS:  
70x8mm RSF
- VERTICAL INFILLS:  
12x12mm SQ. BAR
- SUPPORT POSTS:  
FABRICATED FROM  
50x50x3mm SHS AND  
50x10mm RSF

**V4 INFILL STAGGER**



V4 STAGGER  
OPTIMUM SIGHT ANGLE 5° TO 14°  
FOR USE ON STRAIGHT ROADS  
LOW TO MODERATE SPEEDS AND CURVES

DRAWING.	V4/001
TITLE.	V4 OPTIRAIL



**ALPHA RAIL**  
RAILINGS . GATES . GUARDRAIL