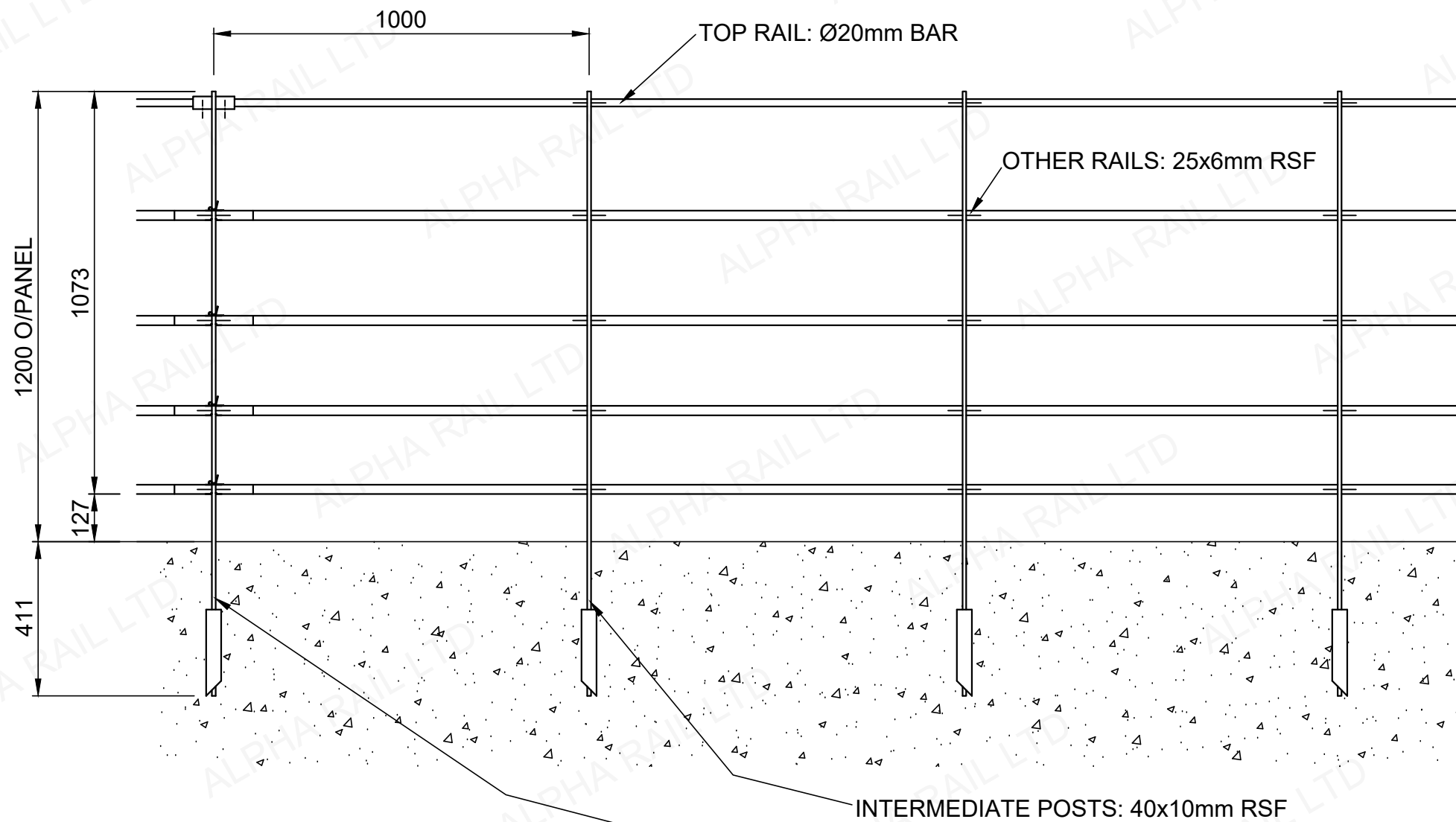
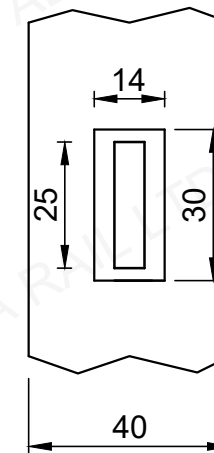


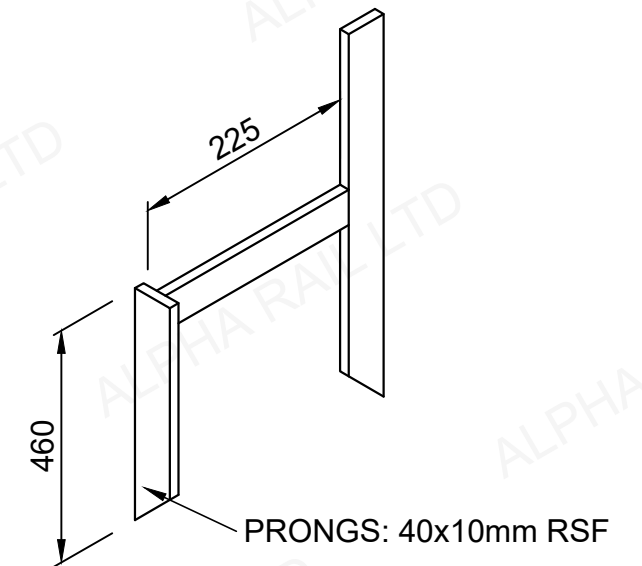
TYPICAL ELEVATION



STANDARD FIXING DETAIL FOR INTERMEDIATE POSTS (SPACED 1000mm APART ALONG RAIL)

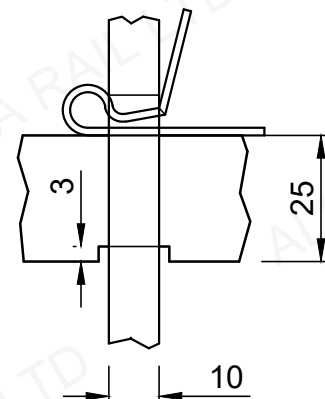
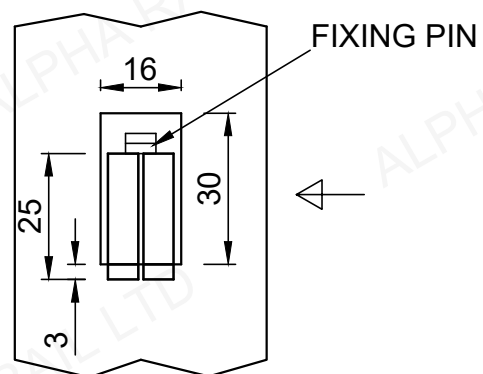


ISOMETRIC VIEW ON PRONGS



STANDARD FIXING DETAIL FOR MAIN INTERMEDIATE POSTS (SPACED 5000mm APART ALONG RAIL)

VIEW ON ARROW



TYPICAL ESTATE RAIL PANEL LENGTHS ARE 5000mm Lg

DRAWING.	ER/001
TITLE.	ESTATE RAIL

